

# Masport®

## ROTARY MOWERS

### SERIES 18

Part Number  
469816

Model  
350ST CO SP

Engine  
B&S Series 500

Month and Year of First Manufacture - Dec 2009

Starting Serial Number - 7277251



Issue C.0  
ECN 03488  
Jan 2018 PB  
REF # 769816S

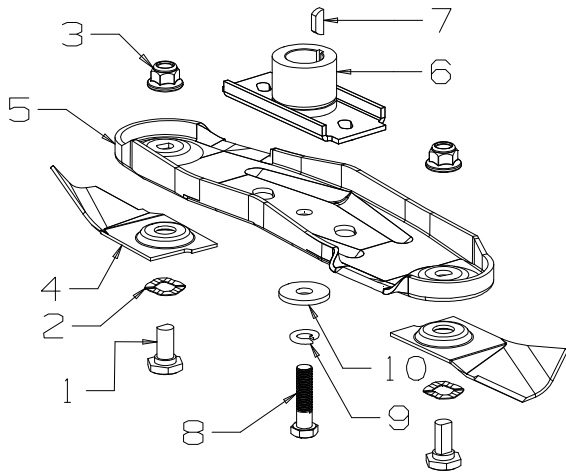


S18 350ST CO SP OPC

# Masport

Issue C.0  
ECN 03488  
Jan 2018 PB  
REF # 769816S

## 460mm Blade Assembly



Item	Part No	Description	Qty
1	581707	Bolt- Pivot M10 x 22	2
2	580693	Washer, Wavy 13.4 x 24.2	2
3	503672	Nut, M10 Hex Nyloc Flange	2
4	583049	Blade- Quick Cut, 460mm EURO	2
5	980653	Carrier- Blade, QuickCut	1
6	014173	Driver Assy-Blade , 7/8"	1
7	500636	Key, Woodruff-5/8" x 5/32" x 1/4"	1
8	503543	Bolt; Hex NF 3/8" x 1.5 NYG8	1
9	500204	Washer, Spring 3/8"	1
10	503667	Washer, Flat 9.75 x 30 x 3.0	1

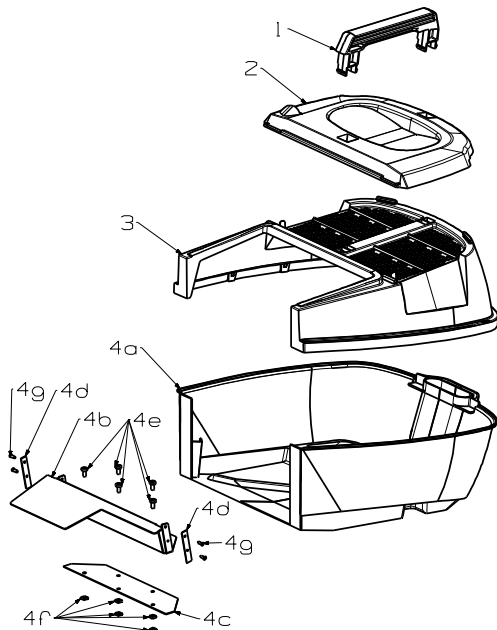
### 460mm Blade & Fasteners (2 per)

**783690 Bolt Set, Inc Items 2 x 1, 2, 3**

**783049 Blade-Quick Cut,E460 Inc Items 2 x 1,2,3,4**

An alternative fastening may be used in this assembly  
#8 581610 Screw, Set NF 3/8 x 1.25 NYG8 1

## 18" Catcher Assembly - 18" SP



Item	Part No	Description	Qty
1	580673	Handle-Catcher	1
2	580674	Lid-Catcher	1
3	579117	Top-Catcher	1
4a	567057	Ctchr-Btm, 18" SP Brand/Gry	1
4b	573133	Lip- Catcher, 18"	1
4c	582222	Lip- Catcher, Backing Plate	1
4d	982223	Plate- Rivet, Ctchr Backing	2
4e	503591	Screw, Pan M6 x 12	5
4f	502098	Nut, M6 Square, Pressed	5
4g	501303	Rivet- Pop 4.0 x 7.9 73AS5-5	4

### Replacement Catcher Assembly Options

**980670 Catcher Assy Black 18" with Unbranded Base**

**767326 Catcher Assy (Branded) 18" with "Grass Full Indicator" & Grey Base**

**Note, This Mower with a serial number 7277251 ~ 7793388 have a Black Catcher Bottom**

### Replacement Catcher Assembly Options

**783006 Catcher Assy (Branded) 18" with "Grass Full Indicator" & Black Base**

When ordering spares: PLEASE QUOTE PART NUMBER & Description, NOT Illustrated Number. Item Qty = 1 per part unless stated differently.

**Bold Text** = Assemblies. Text starting with \* = Items included in the Assemblies & may not be available as a spares item.

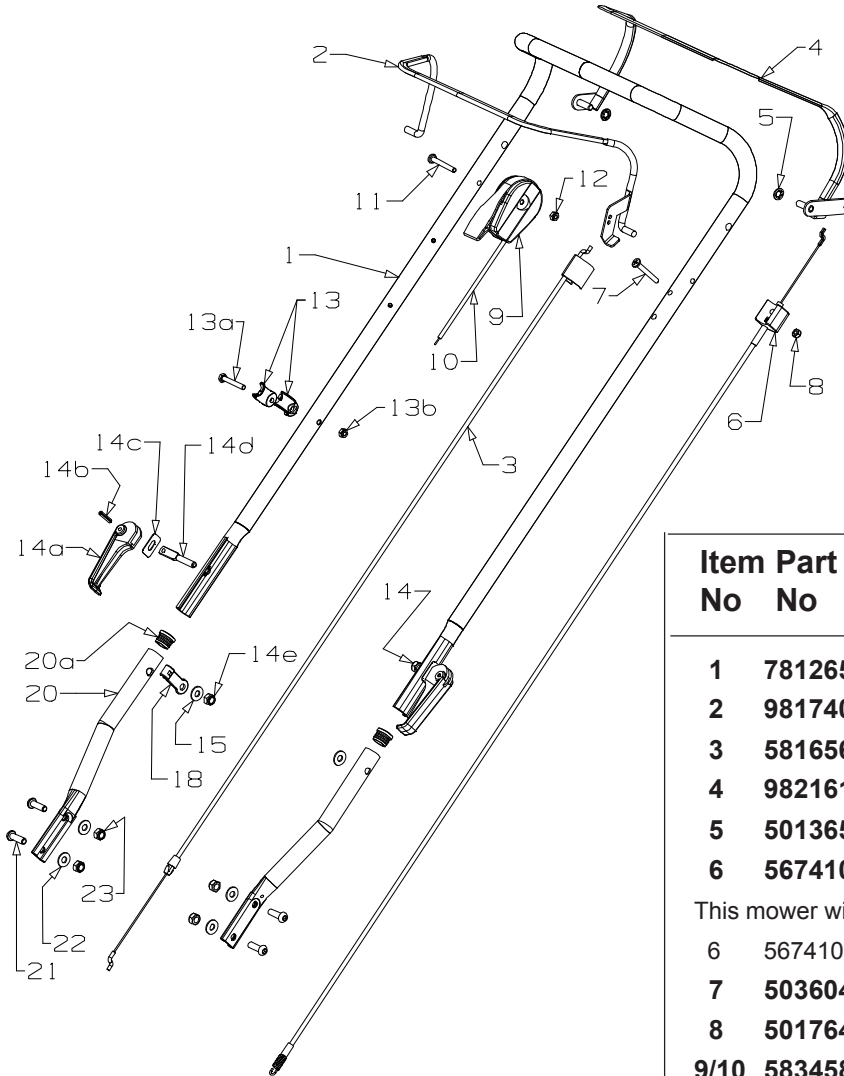
Determine the left hand or right hand sides by standing in the operating position (standing at the handle).



S18 350ST CO SP OPC

# Masport

Issue C.0  
ECN 03488  
Jan 2018 PB  
REF # 769816S



## NOT ILLUSTRATED

<b>503054</b>	Tie- Nylon Cable, Black	<b>3</b>
<b>503489</b>	Screw, Set M5 x 16 Tap/C	<b>1</b>
<b>503559</b>	Clamp- Cable, Throttle	<b>1</b>
<b>569324</b>	Owners Manual, Masport	<b>1</b>
<b>571100</b>	Decal, "Power Drive"	<b>1</b>
<b>573152</b>	Decal, Noise S18 96db	<b>1</b>
<b>573198</b>	Decal, HSG "SELF PROPELLED"	<b>1</b>
<b>573275</b>	Decal, HSG S18 350ST	<b>1</b>
<b>573731</b>	Certificate of Conformity	<b>1</b>
<b>580778</b>	Stop- Rope	<b>1</b>
<b>581180</b>	Instruction, Catcher	<b>1</b>
<b>582049</b>	Decal, Flap Caution	<b>1</b>
<b>582062</b>	Decal, Height Combo	<b>1</b>

Item No	Part No	Description	Qty Req'd
---------	---------	-------------	-----------

<b>1</b>	<b>781265</b>	Handle & Sleeve OPC/PVC/CHR	<b>1</b>
<b>2</b>	<b>981740</b>	Bail Arm Assy- OPC, Black	<b>1</b>
<b>3</b>	<b>581656</b>	Cable- Engine OPC, Push On	<b>1</b>
<b>4</b>	<b>982161</b>	Bail Arm Assy- SP, Black	<b>1</b>
<b>5</b>	<b>501365</b>	Clip- Starlock, 5/16"	<b>2</b>
<b>6</b>	<b>567410</b>	Cable- Clutch, Thumb Wheel	<b>1</b>

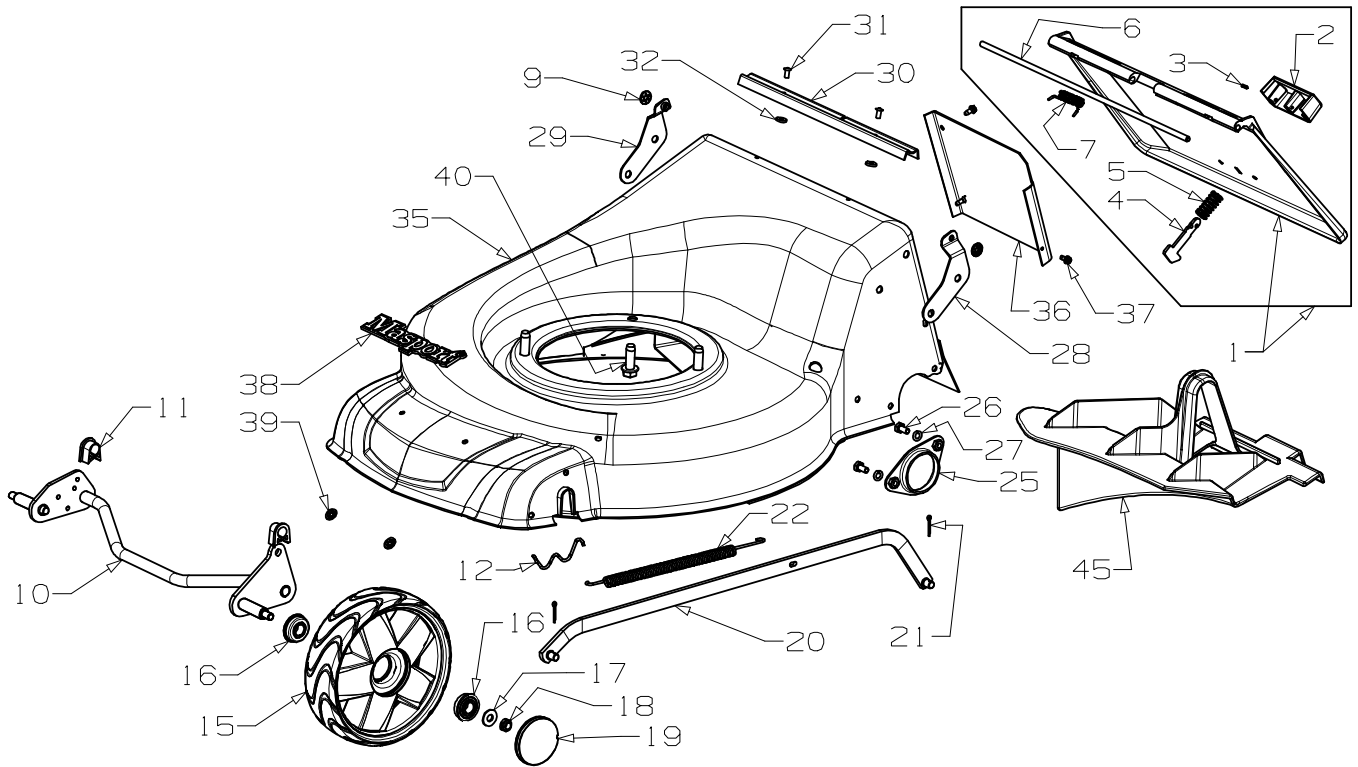
This mower with serial numbers 7277251 ~ 7793388 used

<b>6</b>	<b>567410</b>	Cable- Clutch, Thumb Wheel	<b>1</b>
<b>7</b>	<b>503604</b>	Screw, Pan M6 x 45	<b>1</b>
<b>8</b>	<b>501764</b>	Nut, M6 Hex Nyloc x 6mm thick	<b>1</b>
<b>9/10</b>	<b>583458</b>	<b>Throttle Ctrl &amp; Cable, Wescon</b>	<b>1</b>
<b>11</b>	<b>503604</b>	*Screw, Pan M6 x 45	<b>1</b>
<b>12</b>	<b>501764</b>	*Nut, Nyloc M6	<b>1</b>
<b>13</b>	<b>703856</b>	<b>Comfort Start Kit</b>	<b>1</b>
<b>13a</b>	<b>503794</b>	*Screw, Set M6 x 40	<b>1</b>
<b>13b</b>	<b>501764</b>	*Nut, M6 Hex Nyloc x 6mm thick	<b>1</b>
<b>14</b>	<b>779755</b>	<b>Cam Lock Assy (1 per)</b>	<b>2</b>
<b>14a</b>	<b>582419</b>	*Lever- Handle Locking	<b>1</b>
<b>14b</b>	<b>503369</b>	*Pin- Tension, 5.0 x 22	<b>1</b>
<b>14c</b>	<b>016777</b>	*Washer- Slipper, SS	<b>1</b>
<b>14d</b>	<b>583041</b>	*Stud- Handle Lock, 61mm	<b>1</b>
<b>14e</b>	<b>501793</b>	*Nut, M8 Hex Nyloc x 8mm thick	<b>1</b>
<b>15</b>	<b>501606</b>	Washer, Flat 8 x 19 x 1.6	<b>2</b>
<b>18</b>	<b>581527</b>	Retainer- Clutch, Cable	<b>1</b>
<b>20</b>	<b>980692</b>	Handle-Lower, Stub Black	<b>2</b>
<b>20a</b>	<b>503319</b>	Plug- 22mm Black Plastic	<b>2</b>
<b>21</b>	<b>503643</b>	Set Screw, M8 x 25 Btn/Hd	<b>4</b>
<b>22</b>	<b>501606</b>	Washer, Flat 8 x 19 x 1.6	<b>4</b>
<b>23</b>	<b>501793</b>	Nut, M8 Hex Nyloc x 8mm thick	<b>4</b>

When ordering spares: PLEASE QUOTE PART NUMBER & Description, NOT Illustrated Number. Item Qty = 1 per part unless stated differently.

**Bold Text** = Assemblies. Text starting with \* = Items included in the Assemblies & may not be available as a spares item.

Determine the left hand or right hand sides by standing in the operating position (standing at the handle).



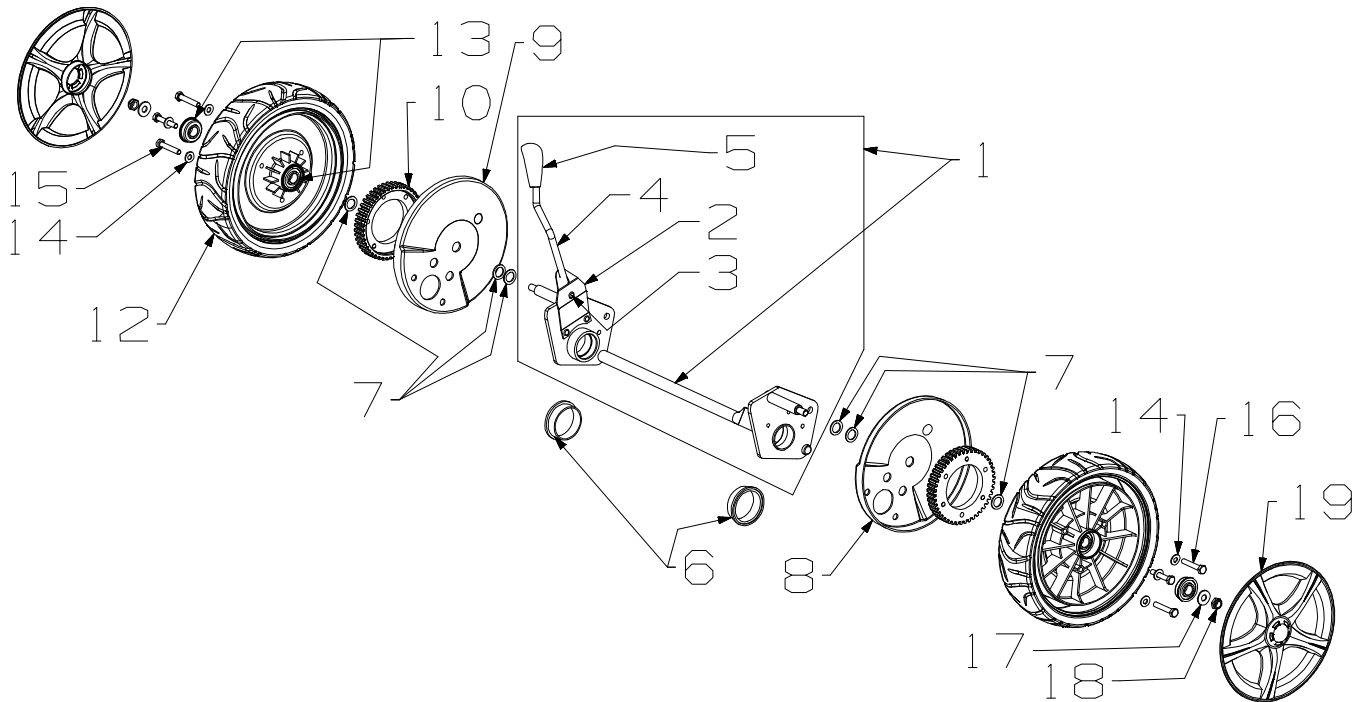
Item No	Part No	Description	Qty Req'd	Item No	Part No	Description	Qty Req'd
1	782200	<b>Flap Assembly- Plastic</b>	1	25	581178	Retainer- Axle, Rear 600SP	2
2	580602	*Handle - Flap	1	26	501959	Screw, Set M6 x 12	4
3	502019	*Pin, Tension 3.0 x 8	1	27	500201	Washer, Spg 6	4
4	981650	*Latch- Flap, Barbed	1	28	579297	Bracket- Flap, LH	1
5	581106	*Spring- Latch, Flap	1	29	579298	Bracket- Flap, RH	1
6	581743	*Wire-Flap Pivot 6mm x 352mm	1	30	583151	Dust Seal- Flap	1
7	581349	*Spring-Flap ST Deck	1	31	581369	Rivet- Pop 4.0x3.2	2
9	503574	Clip- Starlock 6 dia	2	32	502170	Washer, Nylon 5 x 12 x 2.0	2
10	983247	Axle-Front, 175mm Thrd	1	35	773134	<b>Hsg- StIT 18" XFQ SP TTNM</b>	1
11	580030	Bush-Pivot, Front Axle	2	36	573131	*Tunnel- Gbox Cover 18" ST	1
12	529674	Retainer-Axle W, Front	2	37	503630	*Screw, S/T 10x0.4	3
15	579196	<b>Wheel Assy-175mm Spkd Slvr</b> (Includes 2 x 551212 per wheel)	2	38	581240	Nameplate MASPORT	1
16	551212	Bearing- Wheel	4	39	503150	Clip-Starlock, 5 Dia	2
17	501606	Washer, Flat 8 x 19 x 1.6	2	40	580453	Screw, S/T 3/ 8" x 1-1/8"	3
18	503831	Nut, M8 Hex Nyloc x 6mm thick	2	45	573278	Insert- Mulching, 18" ST SP	1
19	579198	Hub Cap, Button, Spkd Slvr	2				
20	569128	Rod Assy- Connecting, 460 ST	1				
21	501056	Pin, Cotter 2.3d x 16	2				
22	581463	Spring-Counter Balance	1				



S18 350ST CO SP OPC

# Masport

Issue C.0  
ECN 03488  
Jan 2018 PB  
REF # 769816S



This mower with serial numbers 7277251 ~ 7289173 used

**10 580038** Gear, Driving 1  
**10 579428** Gear, Driving 1

These are now obsolete and replaced by a spares pack 767300. Refer to page 6 also

Item No	Part No	Description	Qty Req'd	Item No	Part No	Description	Qty Req'd
<b>1</b>	<b>767248</b>	<b>Axle Assy, Rear Drive SP</b>	<b>1</b>	<b>8</b>	<b>579427</b>	Dust, Cover LH Maxic SP	<b>1</b>
This mower with serial numbers 7277251 ~ 7540099 used				<b>9</b>	<b>579426</b>	Dust, Cover RH + LH MSV SP	<b>1</b>
1	767064	Axle Assy, Rear Drive SP	1	<b>10</b>	<b>569180</b>	Gear, Driving 45 Teeth	<b>2</b>
<b>2</b>	<b>580649</b>	*Spring, Leaf	<b>1</b>	<b>12</b>	<b>579070</b>	<b>Wheel Assy-220mm BB MSV SP</b>	<b>2</b>
<b>3</b>	<b>503373</b>	*Rivet- F/HD 3/16x27/64	<b>3</b>	(Includes 2 x 551212 per wheel)			
<b>4</b>	<b>973681</b>	*Rod- Height Selector (MSV Knob)	<b>1</b>	<b>13</b>	<b>551212</b>	Bearing Wheel Ball Type	<b>4</b>
<b>5</b>	<b>581729</b>	*Knob- Height Lever, Adjust	<b>1</b>	<b>14</b>	<b>501703</b>	Washer, Flat 6 x 14 x 1.2	<b>6</b>
<b>6</b>	<b>580091</b>	Bush- Pivot, Rear Axle	<b>2</b>	<b>15</b>	<b>501815</b>	Screw, Set M6 x 35	<b>6</b>
<b>7</b>	<b>503301</b>	Washer, Flat 1/2 x 3/4 x 18	<b>6</b>	<b>17</b>	<b>501606</b>	Washer, Flat 8 x 19 x 1.6	<b>2</b>
				<b>18</b>	<b>503831</b>	Nut, M8 Hex Nyloc 6mm thick	<b>2</b>
				<b>19</b>	<b>579207</b>	Hub Cap, 220mm MSV SP Silver	<b>2</b>

When ordering spares: PLEASE QUOTE PART NUMBER & Description, NOT Illustrated Number. Item Qty = 1 per part unless stated differently.

**Bold Text** = Assemblies. Text starting with \* = Items included in the Assemblies & may not be available as a spares item.

Determine the left hand or right hand sides by standing in the operating position (standing at the handle).

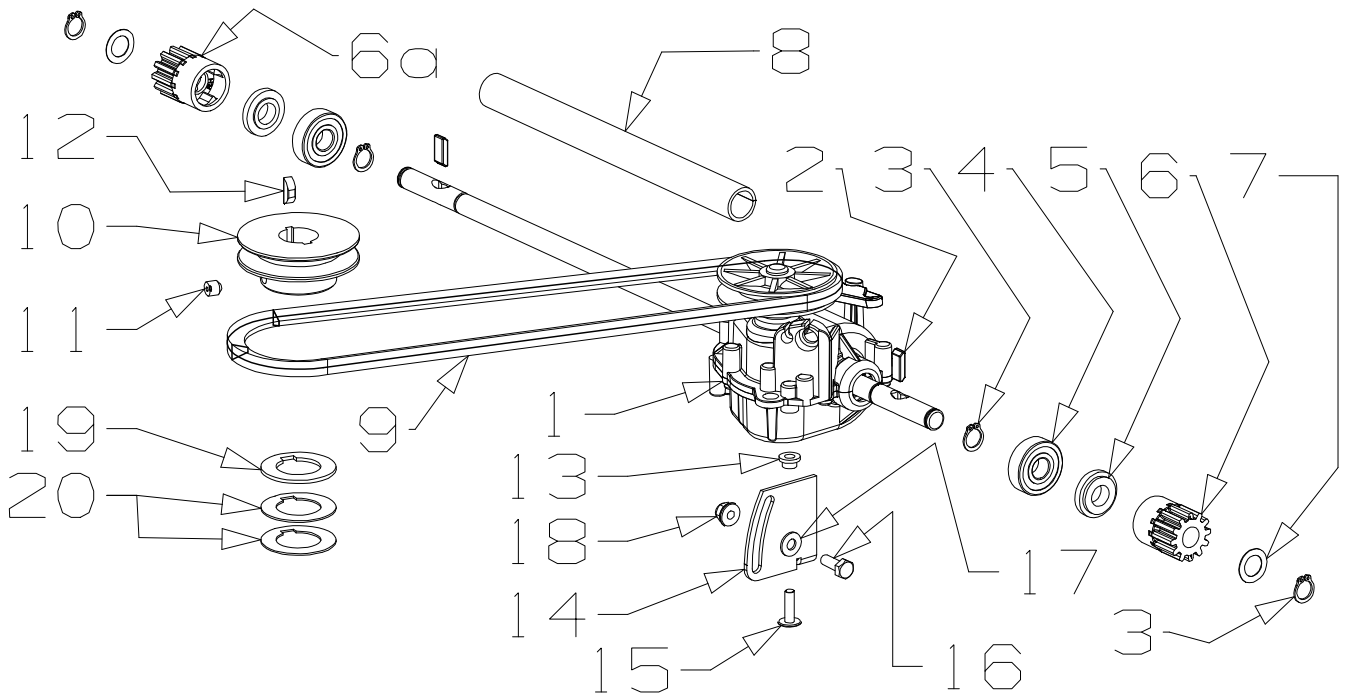




S18 350ST CO SP OPC

# Masport

Issue C.0  
ECN 03488  
Jan 2018 PB  
REF # 769816S



This mower with serial numbers 7277251 ~ 7289173 used

- 6 581090** Pinion, LH 1
- 6a 581091** Pinion, RH 1

**These are now obsolete and replaced by a spares pack 767300. Refer to page 5 also**

Item No	Part No	Description	Qty	Item No	Part No	Description	Qty
<b>1</b>	<b>574497</b>	Gearbox- Single SP Synchro 9"18	<b>1</b>	<b>10</b>	<b>573634</b>	Pulley- Engine, 7/8"B x 68D x 28H	<b>1</b>
This mower with serial numbers 7277251 ~ 7793388 used a different gearbox which as been superseded by 574497. Replacing the earlier gearbox with 574497 also requires items 567576 Mount-Gearbox & 567410 Cable-Clutch,Thumbwheel				This mower with serial numbers 7277251 ~ 7705326 used			
<b>2</b>	<b>581092</b>	Pawl, Pinion 950 SP	<b>2</b>	10	582515	Pulley- Engine, 7/8"B x 79D x 28H	1
<b>3</b>	<b>503759</b>	Circlip, 12 EXT DIN 471	<b>4</b>	<b>11</b>	<b>503386</b>	Screw, Grub M8 x 8	<b>1</b>
<b>4</b>	<b>501213</b>	Bearing, 12 x 32 x 10 6201 2RS	<b>2</b>	<b>12</b>	<b>500636</b>	Key- W/Ruff 5/8 x 5/32 x 1/4	<b>1</b>
<b>5</b>	<b>581093</b>	Cap, Pinion 950 SP Plastic	<b>2</b>	<b>13</b>	<b>564093</b>	Bush- G/Box Mount, ST Synchro	<b>1</b>
<b>6</b>	<b>569178</b>	Pinion, LH 12 Teeth	<b>1</b>	<b>14</b>	<b>567576</b>	Mount- Gearbox, 18"	<b>1</b>
<b>6a</b>	<b>569179</b>	Pinion, RH 12 Teeth	<b>1</b>	<b>15</b>	<b>503650</b>	Screw; S/Tapping #1 x 11/16"	<b>1</b>
<b>7</b>	<b>503102</b>	Washer, Flat 12 x 20 x 0.4	<b>2</b>	<b>16</b>	<b>501702</b>	Screw, Set M6 x 16	<b>1</b>
<b>8</b>	<b>580614</b>	Sleeve, Rear Axle MSV SP	<b>1</b>	<b>17</b>	<b>501703</b>	Washer, Flat 6 x 14 x 1.2	<b>1</b>
<b>9</b>	<b>573810</b>	Belt-V No 6731 3L-787 Gates	<b>1</b>	<b>18</b>	<b>503973</b>	Nut, M6 Hex Nyloc Flange	<b>1</b>
This mower with serial numbers 7277251 ~ 7705326 used				<b>19</b>	<b>569552</b>	Spacer- Pulley, Eng 25 x 42 x 2	<b>1</b>
	9	557257 Belt-V HC VEXTRA XPZ 800 GATES	1	<b>20</b>	<b>573024</b>	Spacer- Pulley, Eng 25 x 42 x 1	<b>2</b>
This mower with serial numbers 7793339 ~ 7793388 used							
	9	569337 Belt-V XPZ 785 GATES	1				

When ordering spares: PLEASE QUOTE PART NUMBER & Description, NOT Illustrated Number. Item Qty = 1 per part unless stated differently.

**Bold Text** = Assemblies. Text starting with \* = Items included in the Assemblies & may not be available as a spares item.

Determine the left hand or right hand sides by standing in the operating position (standing at the handle).